




# Ventilation Cable Glands Brass

## Cable glands with integrated ventilation

- Balances pressure differences between inside and outside of enclosure.
- Prevents damages, such as condensation due to pressure differences.
- Cable gland and pressure balance element combined in one product.
- Properties of ventilation membrane stay the same independent of cable diameter and torque.
- Membrane properties: hydrophobic, oleophobic.
- For industrial applications in harsh environments.
- Easy assembly.
- High quality strain relief and sealing, reliable performance for standard industrial applications.
- Up-to-date international approvals.

### Technical Details

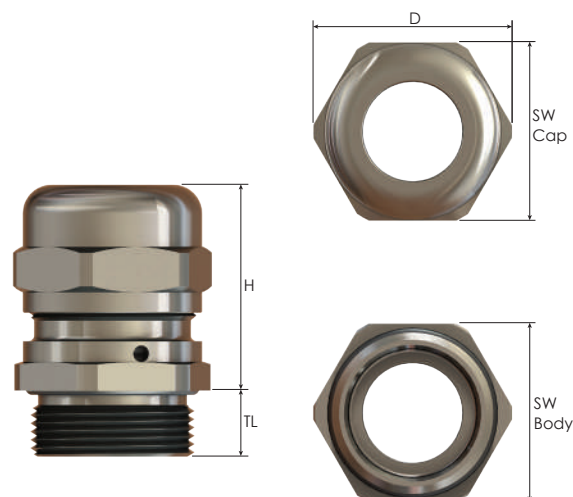
Material	Body, Cap	Brass Nickel plated	
	Seal	CR (Chloroprene)	
	Clamp, Insert	PA 6 (Polyamide 6)	
	Vent Membran	PTFE	
	O-Ring	NBR	
Ingress Protection Rating	IP 66 IP 67		
Flammability	V2 according to UL94		
Operating Temperature	<b>Permanent</b>	-20 °C to +100 °C	<b>Intermittent</b>
			-40 °C to +150 °C
Cable Type	Non armoured		
Thread Type	• Metric EN 60423		
	• PG DIN 40430		
	• Other thread types also available upon request.		
	• Lock nuts		
Accessories	• Dome plugs		
	• Gaskets		
	• Manufactured according to DIN EN 62444/50262.		
Remarks	• We recommend the use of lock nuts and gaskets to ensure IP rating for rough surfaces or through holes.		
	• O-ring available in Metric and PG threads.		
	• Accessories must be ordered separately.		
	• Some approvals do not cover all sizes.		
	<b>Note:</b> Applications of most cable glands don't require same parameters applied to tests. For applications strictly acc. to the approval definitions please consult data sheet.		

Approvals	Certificate Number	Standards
	40040032	DIN EN 62444
	E-199260	UL514B CSA22.2 No 18.3-12 CSA22.2 No 94.2-15
<b>TYPE 4x</b>		UL50E
	E-14047	EN62444

For more approvals: see our webpage.



## Ventilation Cable Glands Brass



### Thread Type **METRIC** acc. to EN 60423

Outer Thread Size (Male)	Clamping Range Ø min-max mm	Average Air Flow for ΔP = 70 mbar l/h	Water Intrusion Pressure bar	Outer Thread Length TL mm	Spanner Width		Outer Ø D mm	max. Height H mm	Part Number	Minimum Order Quantity
					SW Cap mm	SW Body mm				
M12x1,5	2,0 - 6,0	25	0,1	8,0	17	17	18,9	32,5	BMBCVG-0SR	1000
	4,0 - 7,0	25	0,1	8,0	17	17	18,9	32,5	BMBCVG-0S	1000
M16x1,5	2,0 - 6,0	25	0,1	8,0	17	17	18,9	29,0	BMBCVG-01R	900
	4,0 - 7,0	25	0,1	8,0	17	17	18,9	29,0	BMBCVG-01	900
	3,0 - 7,0	35	0,1	8,0	20	20	22,0	36,0	BMBCVG-01LR	600
M20x1,5	5,0 - 9,0	35	0,1	8,0	20	20	22,0	36,0	BMBCVG-01L	600
	5,0 - 9,0	50	0,1	8,0	22	22	24,5	32,5	BMBCVG-02R	500
	6,0 - 11,0	50	0,1	8,0	22	22	24,5	32,5	BMBCVG-02	500

### Thread Type **PG** acc. to DIN 40430

Outer Thread Size (Male)	Clamping Range Ø min-max mm	Average Air Flow for ΔP = 70 mbar l/h	Water Intrusion Pressure bar	Outer Thread Length TL mm	Spanner Width		Outer Ø D mm	max. Height H mm	Part Number	Minimum Order Quantity
					SW Cap mm	SW Body mm				
PG 7	2,0 - 6,0	25	0,1	8,0	17	17	18,9	32,5	BSBCVG-01R	1000
	4,0 - 7,0	25	0,1	8,0	17	17	18,9	32,5	BSBCVG-01	1000
PG 9	2,0 - 6,0	25	0,1	8,0	17	17	18,9	29,0	BSBCVG-02R	900
	4,0 - 7,0	25	0,1	8,0	17	17	18,9	29,0	BSBCVG-02	900
PG 11	3,0 - 7,0	35	0,1	8,0	20	20	22,0	36,0	BSBCVG-03R	600
	5,0 - 9,0	35	0,1	8,0	20	20	22,0	36,0	BSBCVG-03	600
PG 13,5	5,0 - 9,0	50	0,1	9,0	22	22	24,5	32,5	BSBCVG-04R	500
	6,0 - 11,0	50	0,1	9,0	22	22	24,5	32,5	BSBCVG-04	500